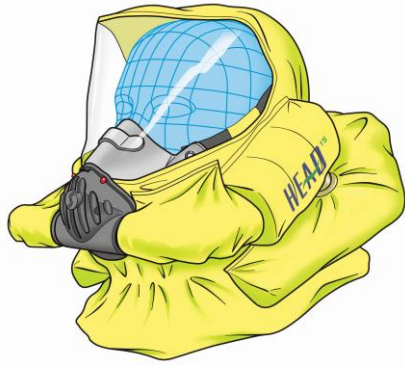


HEAD 15 WORKING/RESCUE SET CARRY CASE



K02 Regenerative Device For Short Term Use

Instruction Manual

CONTENTS

- IMPORTANT NOTICE
- INTENDED USE
- PRECAUTIONS
- PRIOR TO USE
- OPENING DEVICE
- DONNING DEVICE
- USAGE PICTOGRAMS
- USE
- AFTER USE
- STORAGE AND USAGE CONDITIONS
- RETURN CONDITIONS
- ORDERING INFORMATION
- PRODUCT IDENTIFICATION
- TECHNICAL DATA
- EU DECLARATION

IMPORTANT NOTICE

1. The equipment should only be used for the purposes specified in this manual.
2. All individuals involved in the use of the equipment must read and understand the contents of this manual and have been trained by a Semmco LPS Ltd certificated trainer.
3. All individuals involved with the training of the end user or maintenance of this equipment must be authorised and certificated by Semmco LPS Ltd.
4. The warranties made by Semmco LPS Ltd with the regard to this product are void if the equipment is not used and serviced in accordance with the instructions in this manual.
5. The warranties and conditions of sale of Semmco LPS Ltd are not to be altered by the above recommendations.

INTENDED USE

HEAD 15 WORKING/RESCUE SET is a short duration, oxygen breathing device, which is intended for a single use for working activities (REF EN 145 for performance specification), in areas of:

- smoke
- toxic contamination and
- oxygen deficiency

HEAD 15 WORKING/RESCUE SET is supplied in a Carry Case with a 15 minute duration. The apparatus, described in these Instructions for Use, has been designed and tested in accordance with EN 13794, EN 145 and EN 1146 where applicable to demonstrate compliance with the essential safety requirements with PPE Regulation (EU) 2016/425. Intrinsic safety as per SIRA certificate Sira 04Y2057X.

Type examination performance by: SGS United Kingdom Ltd, Unit 202B, Worle Parkway, Weston-super-Mare, BS22 6WA (Notified Body Number 0120)

PRECAUTIONS

- The carrying case is anti-static and is therefore suitable for use in explosive atmospheres.
- Due to the potential fire risk it is important to prevent the ingress of flammable substances such as petrol, grease or solvents into the device before and during operation.
- If the device is damaged there is a risk that flammable substances may be ignited if they come into contact with the oxygen producing chemical.
- Do not remove the device from the case until the equipment is required for use. Doing so may reduce the protection afforded by the device.

PRIOR TO USE

Check case to ensure:

- The case is not damaged.
- The security seal is still intact.
- The unit is within the expiry date.
- The vacuum pack is intact and the Indicator is not pink in colour.
- **The equipment should not be used if these conditions are not met.**

OPENING DEVICE

HEAD 15 WORKING/RESCUE SET CARRYING CASE

1. Open carrying bag by pulling webbing tag.
2. The lid will fall away to reveal vacuum pack.
3. Unfold tear strip, hold securely and rip open using red tear tab.
4. Pull firmly on the breathing protection device to remove from vacuum pack. This action automatically activates the oxygen generation into the breathing bag, commences the alarm self test procedure and removes the two red sealing bungs from the device. If these remain attached remove manually.

DONNING HEAD 15 WORKING/RESCUE SET

1. Unfold the hood, place fingers inside neck seal, inhale and pull onto head.
2. Hold front port and adjust position of inner mask to ensure correct fit, comfort and field of vision.
3. Exhale into mask and commence normal breathing.

NOTE:

- The action of removing the breathing device from the vacuum bag automatically activates oxygen generation, the alarm self test and removes the two red sealing bungs from the device. The LED and alarm will sound for a few seconds to indicate it is functioning correctly. In the unlikely event the alarm self check is not activated, HEAD 15 WORKING SET remains safe to use however no reliance should be placed on the alarm timer. The two red rubber bungs are connected inside the bag via a red lanyard, if for any reason the bungs stay attached to the device when it has been removed from the bag they should be removed from the device manually before donning starts.
- Facial hair in the sealing area may cause leaks and can seriously reduce the protection provided by the apparatus.
- **The correct positioning of the inner mask is essential to provide a face seal and prevent ingress of atmospheric contaminants.**
- **Always follow training procedures. The hood must be properly sealed before starting to use the equipment.**

USAGE PICTOGRAMS

HEAD 15 WORKING/RESCUE SET CC



USE

- Once activated and the correct function checked, the red LED's and audible warning will operate intermittently when two thirds duration of the operating time has elapsed. This will change to the constant mode when the stated duration is reached. This warning will continue for a further period of approximately 5 minutes.
- When the warning device activates the constant mode, HEAD 15 WORKING/RESCUE SET should be removed as this indicates that oxygen generation may be ending and that the device may no longer be providing protection.

IMPORTANT NOTES FOR USERS

- **Immediately the device is donned and a seal obtained activities should commence in a calm manner. Do not rush.**
- **Maintain a steady work rate to ensure regular breathing. Rapid breathing uses more oxygen.**
- **During use the starter and oxygen generators will increase in temperature and the air provided by this device will be warm and dry and slight odours or tastes may be detected. These are normal conditions and indicate the device is functioning correctly.**

AFTER USE

- Remove the hood immediately in a safe area, or when the warning device indicates oxygen production may have ceased.
- The device can be returned to Semmco LPS Ltd for reclamation or rework, see section on 'RETURN CONDITIONS'.

STORAGE AND USAGE CONDITIONS

The device can be stored for up to 12 years (after satisfactory inspections at 6 years and 9 years are carried out by Semcco LPS Ltd). Official regulations on inspection must be observed. For units which are routinely carried, the following visual checks must be carried out daily.

- The carrying case must be free from damage.
 - The security tag must be in place and un-damaged.
 - The vacuum indicator must be blue.
- If these conditions are not met the unit should not be used and should be replaced with a new unit**

RETURN CONDITIONS

The protective device contains potassium superoxide (K₂O₂) therefore transportation hazard regulations apply when in transport. The devices can only be transported by road or rail and should be returned in their original transportation packaging and marked with the appropriate hazard identification label. When returning damaged or used devices they must be sealed in a plastic bag prior to placing in the transportation packaging.

The devices can be returned for disposal or rework to the Reclamation Unit at the address below:

Semcco LPS Ltd
9 Kestrel Way, Goldsworth Trading Estate
Woking
Surrey
GU21 3BA
England

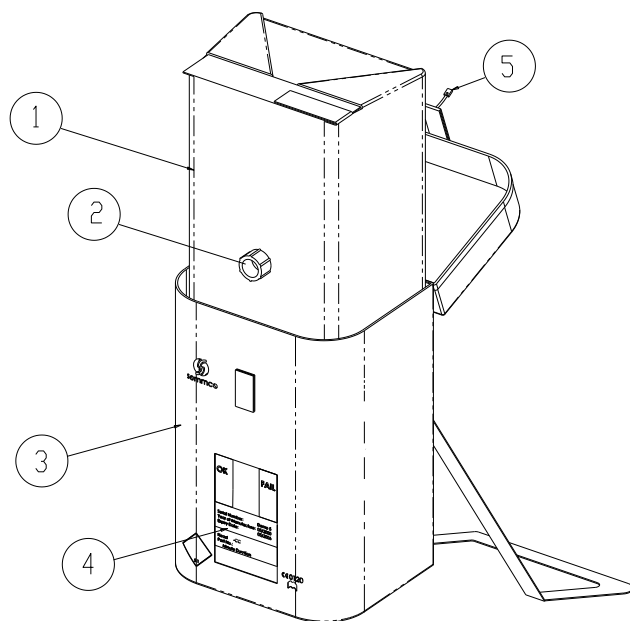
ORDERING INFORMATION

Description	Part No.
HEAD 15 WORKING/RESCUE SET CARRY CASE	802.001.10
HEAD 15 WORKING/RESCUE SET – Rework	on request
HEAD 15 WORKING/RESCUE SET – 6 & 9 year inspection	on request
HEAD 15 WORKING/RESCUE SET – Reclamation	on request
HEAD 15 – TRAINING SET CARRY CASE	802.001.25
HEAD 15 – ALARM TRAINER UNIT	802.001.26

Semcco LPS Ltd
9 Kestrel Way, Goldsworth Trading Estate
Woking
Surrey
GU21 3BA
England

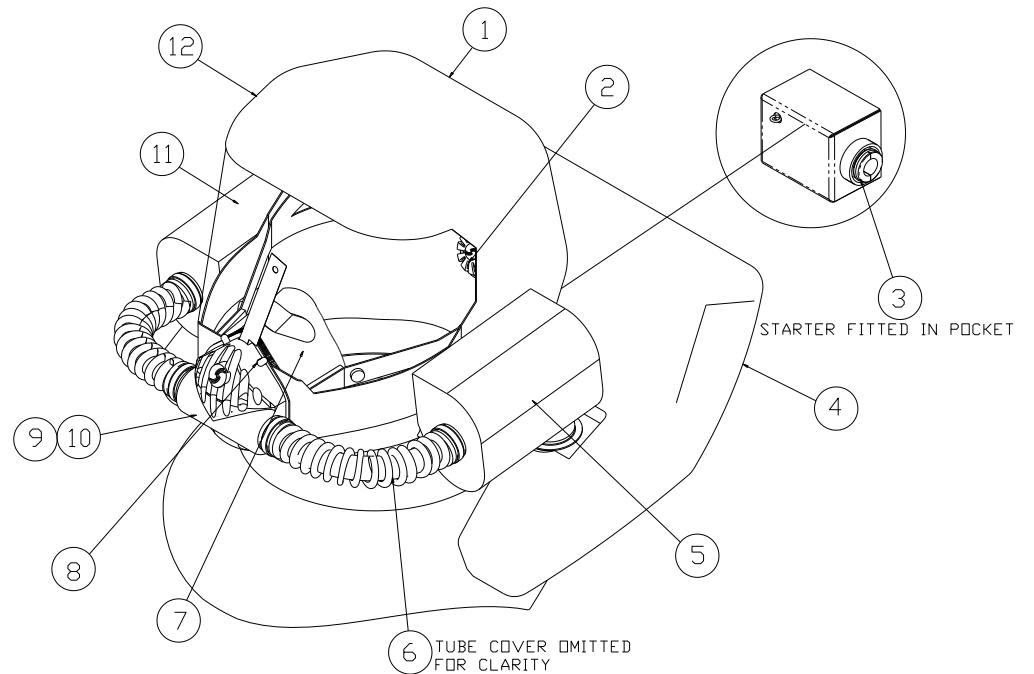
Tel: +44 (0) 1483 757200
Fax: +44 (0) 1483 740795
Web: www.semcco.com
e-mail: sales@semcco.com

PRODUCT IDENTIFICATION – HEAD 15 WORKING/RESCUE SET CARRY CASE



KEY

- 1 HEAD 15 WORKING/RESCUE SET IN VAC PACK
- 2 VACUUM INDICATOR
- 3 CARRY CASE
- 4 DATE AND SERIAL NUMBER LABEL
- 5 SECURITY TAG



KEY

- 1 OVER PRESSURE VALVE FITTED TO BACK OF HOOD
- 2 PRESSURE RELIEF VALVE
- 3 OXYGEN STARTER
- 4 RESERVOIR BAG
- 5 OXYGEN GENERATOR
- 6 SUPPLY TUBE
- 7 MASK AND HARNESS
- 8 WARNING LED
- 9 HEAT SINK
- 10 FRONT PORT
- 11 VISOR
- 12 HOOD

TECHNICAL DATA

- Inspiratory/expiratory resistance at 50L/min -5 to +7 mbar
- Temperature Inhaled gas < 50°C
- Breathing Bag Volume ≥ 8 litre
- CO₂ content (inhaled gas) < 2 vol%
- Operating time according to EN13794 15 minutes
- Weight with case 3kg
- Weight without case 1.6kg
- Case dimensions (mm) 335 x 300 x 165
- Temperature: Storage -30 to + 60°C
- Max surface temp < 100°C

EU DECLARATION OF CONFORMITY



Manufacturer: **Semcco LPS Ltd**
9 Kestrel Way Goldsworth Trading Estate
Woking Surrey GU21 3BA

Under the sole responsibility of declares that the PPE described below

HEAD 15 Working Set – CC 802.001.10

1. Is in conformity with the PPE Regulation (EU) 2016/425 and with the relevant requirements of the appropriate sections of the harmonized standards EN13794:2002, EN145:1998 for general specification and performance and EN1146:2005 for the hood, it is deemed to meet the basic safety and health requirements (Annex 11) of the Regulation.
2. Are identical to the PPE which is the subject of EU certification of conformity No. GB19/963117 issued by
SGS United Kingdom Ltd
Systems & Services Certification
202B Worle Parkway, Weston-superMare,
BS22 6WA
3. Are subject to the procedures set out in PPE Regulation (EU) 2016/425 under the supervision of the notified body SGS United Kingdom Ltd. NB0120

Signed:



Authorised Signatory – General Manager Semcco Group
On behalf of Semcco LPS Ltd

Issue: 03b

Dated: January 2021



Telephone: +44 (0) 1483 757200 Fax: +44 (0) 1483-740795
Email: sales@semcco.com