

## CONTENTS

- IMPORTANT NOTICE
- INTENDED USE
- PRECAUTIONS
- PRIOR TO USE
- OPENING DEVICE
- DONNING DEVICE
- USAGE PICTOGRAMS
- USE
- AFTER USE
- STORAGE AND USAGE CONDITIONS
- RETURN CONDITIONS
- ORDERING INFORMATION
- PRODUCT IDENTIFICATION
- TECHNICAL DATA
- EU DECLARATION



## IMPORTANT NOTICE

1. The equipment should only be used for the purposes specified in this manual.
2. All individuals involved in the use of the equipment must read and understand the contents of this manual and have been trained by a Semcco LPS Ltd certificated trainer.
3. All individuals involved with the training of the end user or maintenance of this equipment must be authorised and certificated by Semcco LPS Ltd.
4. The warranties made by Semcco LPS Ltd with the regard to this product are void if the equipment is not used and serviced in accordance with the instructions in this manual.
5. The warranties and conditions of sale of Semcco LPS Ltd are not to be altered by the above recommendations.

## INTENDED USE

HEAD 30 ESCAPE SET is a short duration, oxygen breathing device, which is intended for a single emergency use, in areas of:

- smoke
- toxic contamination and
- oxygen deficiency
- Potentially explosive atmospheres (when supplied in a carry case)

HEAD 30 is available in the following options;

### HEAD 30 CC – Carry Case

The apparatus, described in these instructions for use, has been designed and tested in accordance with EN13794, EN145, EN1146 and DIN 58652-1 where applicable, to demonstrate compliance with the essential safety requirements with PPE Regulation (EU) 2016/425. Intrinsic safety as per SIRA certificate Sira 04Y2057X.

Type examination performance by: BSI Group, Kitemark Court, Davy Avenue, Knowlhill, Milton Keynes MK5 8PP  
(Notified Body Number 0086)

## PRECAUTIONS

- Due to the potential fire risk it is important to prevent the ingress of flammable substances such as petrol, grease or solvents into the device before and during operation.
- If the device is damaged there is a risk that flammable substances may be ignited if they come into contact with the oxygen producing chemical.
- Do not remove the device from the case until the equipment is required for use. Doing so may reduce the protection afforded by the device.

## PRIOR TO USE

### Check case to ensure:

- The case is not damaged.
- The security seal is still intact.
- The unit is within the expiry date.
- The vacuum pack is intact and the Indicator is not pink in colour.
- **The equipment should not be used if these conditions are not met.**

## OPENING DEVICE

### HEAD 30 CARRYING CASE

1. Open carrying bag by pulling webbing tag.
2. The lid will fall away to reveal vacuum pack. Go to 3 below.
3. Pull firmly on the breathing protection device to remove from vacuum pack. This action automatically activates the oxygen generation into the breathing bag, commences the alarm self-test procedure and removes the two red sealing bungs from the device. If these remain attached remove manually.

### DONNING HEAD 30

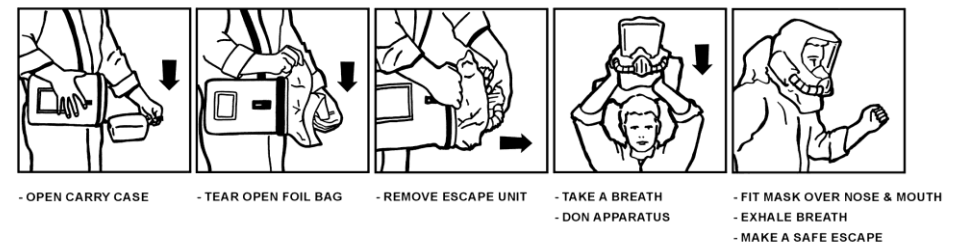
1. Unfold the hood, place fingers inside neck seal, inhale and pull onto head.
2. Hold front port and adjust position of inner mask to ensure correct fit, comfort and field of vision.
3. Exhale into mask and commence normal breathing.

#### NOTE:

- The action of removing the breathing device from the vacuum bag automatically activates oxygen generation, the alarm self test and removes the two red sealing bungs from the device. The LED and alarm will sound for a few seconds to indicate it is functioning correctly. In the unlikely event the alarm self check is not activated, HEAD 30 remains safe to use however no reliance should be placed on the alarm timer. The two red rubber bungs are connected inside the bag via a red lanyard, if for any reason the bungs stay attached to the device when it has been removed from the bag they should be removed from the device manually before donning starts.
- Facial hair in the sealing area may cause leaks and can seriously reduce the protection provided by the apparatus.
- **The correct positioning of the inner mask is essential to provide a face seal and prevent ingress of atmospheric contaminants.**
- **Always follow training procedures. The hood must be properly sealed before starting to use the equipment.**

## USAGE PICTOGRAMS

### HEAD 30 ESCAPE SET CC



## USE

- Once activated and the correct function checked, the red LED's and audible warning will operate intermittently when two thirds duration of the operating time has elapsed. This will change to the constant mode when the stated duration is reached. This warning will continue for a further period of approximately 5 minutes.
- When the warning device activates the constant mode, HEAD 30 may be ending and that the device may no longer be providing protection.

### IMPORTANT NOTES FOR USERS

- **Immediately the device is donned and a seal obtained activities should commence in a calm manner. Do not rush.**
- **Maintain a steady work rate to ensure regular breathing. Rapid breathing uses more oxygen.**
- **During use the starter and oxygen generators will increase in temperature and the air provided by this device will be warm and dry and slight odours or tastes may be detected. These are normal conditions and indicate the device is functioning correctly.**

## AFTER USE

- Remove the hood immediately in a safe area, or when the warning device indicates oxygen production may have ceased.
- The device can be returned to Semcco LPS Ltd for reclamation or rework, see section on 'RETURN CONDITIONS'.

### STORAGE AND USAGE CONDITIONS

The device can be stored for up to 12 years (after a satisfactory inspection at 6 years and 9 years at Semcco LPS Ltd). Official regulations on inspection must be observed. For units which are routinely carried, the following visual checks must be carried out daily.

- The carrying case must be free from damage.
- The security tag must be in place and un-damaged.
- The vacuum indicator must be blue.

**If these conditions are not met the unit should not be used and should be replaced with a new unit**

### RETURN CONDITIONS

The protective device contains potassium superoxide (K<sub>2</sub>O<sub>2</sub>) therefore transportation hazard regulations apply when in transport. The devices can only be transported by road, rail or air cargo and should be returned in their original transportation packaging and marked with the appropriate hazard identification label. When returning damaged or used devices they must be sealed in a plastic bag prior to placing in the transportation packaging.

The devices can be returned for disposal or rework to the Reclamation Unit at the address below:

Semcco LPS Ltd  
9 Kestrel Way, Goldsworth Trading Estate  
Woking  
Surrey  
GU21 3BA  
England

### ORDERING INFORMATION

#### Description

HEAD 30 ESCAPE SET CARRY CASE  
HEAD 30 – Rework  
HEAD 30 – 6 & 9 year inspection  
HEAD 30 – Training systems

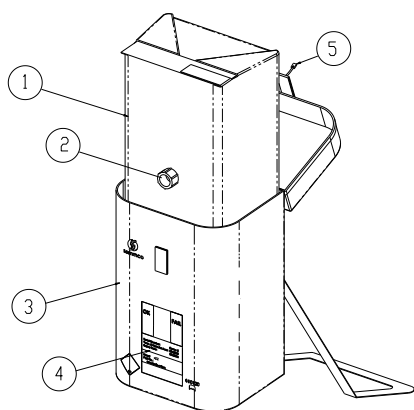
#### Part No.

802.003.01  
on request  
on request  
on request

Semcco LPS Ltd  
9 Kestrel Way, Goldsworth Trading Estate  
Woking  
Surrey GU21 3BA  
UK

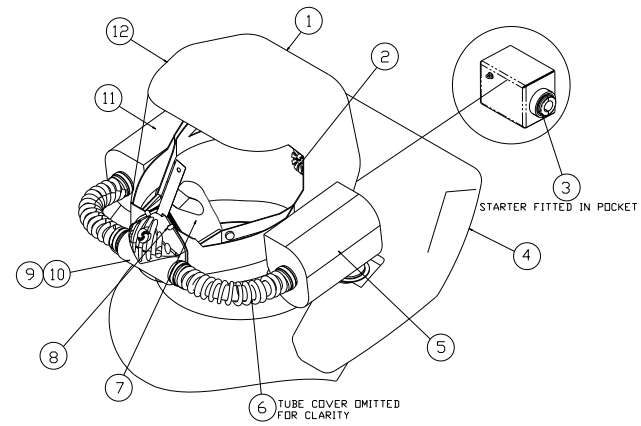
Tel: +44 (0) 1483 757200  
Fax: +44 (0) 1483 740795  
e-mail: [sales@semcco.com](mailto:sales@semcco.com)  
[www.semcco.com](http://www.semcco.com)

### PRODUCT IDENTIFICATION – HEAD 30 CARRY CASE



#### KEY

- 1 HEAD 30 VAC PACK
- 2 VACUUM INDICATOR
- 3 CARRY CASE
- 4 DATE AND SERIAL NUMBER LABEL
- 5 SECURITY TAG



#### KEY

- 1 OVER PRESSURE VALVE FITTED TO BACK OF HOOD
- 2 PRESSURE RELIEF VALVE
- 3 OXYGEN STARTER
- 4 RESERVOIR BAG
- 5 OXYGEN GENERATOR
- 6 SUPPLY TUBE
- 7 MASK AND HARNESS
- 8 WARNING LED
- 9 HEAT SINK
- 10 FRONT PORT
- 11 VISOR
- 12 HOOD

#### TECHNICAL DATA

##### Intrinsic Safety Label



- Inspiratory/expiratory resistance at 35L/min <±4 mbar
- Temperature Inhaled gas 35L/min < 50°C
- Breathing Bag Volume ≥ 8 litre
- CO<sup>2</sup> content (inhaled gas) < 3 vol%
- Operating time according to EN13794 30 minutes
- Weight with case (kg) 2.4 CC
- Weight without case (kg) 1.5
- Case dimensions (mm) approx 330 x 190 x 140
- Temperature: Storage -20 to +50°C
- Temperature: In Use -6 to +50°C
- Max surface temp < 100°C

#### EU DECLARATION OF CONFORMITY



**Manufacturer: Semcco LPS Ltd**  
**9 Kestrel Way Goldsworth Trading Estate**  
**Woking Surrey GU21 3BA**

Under the sole responsibility declares that the PPE described below

HEAD 30 Escape Set – CC 802.003.01

1. Is in conformity with the PPE Regulation (EU) 2016/425 and with the relevant requirements of the appropriate sections of the harmonized standards EN13794:2002, EN145:1998 and DIN58652:1997-. for general specification and performance and EN146:2005 for the hood, it is deemed to meet the basic safety and health requirements (Annex I I) of the Regulation.
2. Are identical to the PPE which is the subject of EU certification of conformity No. CE690202 issued by:  
BSI Group  
Kitemark Court  
Davy Avenue  
Knowlhill  
Milton Keynes  
MK5 8PP
3. Are subject to the procedures set out in PPE Regulation (EU) 2016/425 under the supervision of the notified body SGS United Kingdom Ltd. NB0120

Signed:



Authorised Signatory – General Manager Semcco Group  
On behalf of Semcco LPS Ltd

Issue: 02c

Dated: January 2021

Telephone: +44 (0)1483 757200 Fax: +44 (0)1483 740795  
Email: [sales@semcco.com](mailto:sales@semcco.com) [www.semcco.com](http://www.semcco.com)